

Golf Ball Lab One - Average Speed

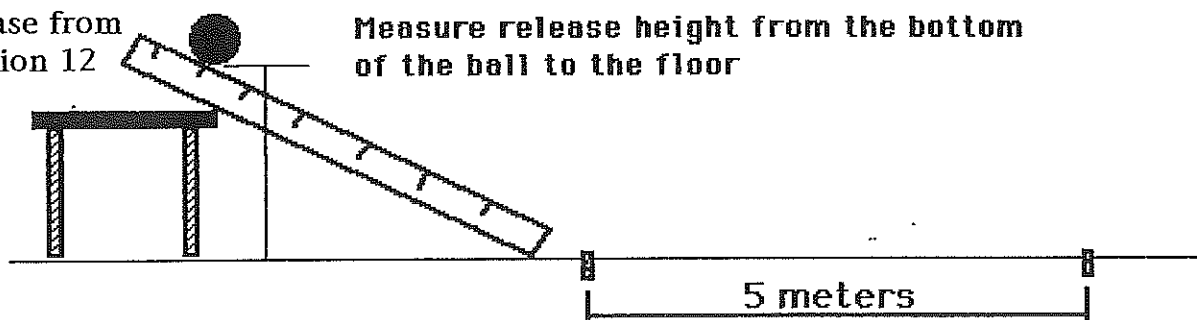
Question

How can average speeds be determined?

Materials

- Ramp
- Meter stick
- Books or VERY low table
- Stop watch
- Golf ball
- A smooth floor

Release from
Position 12



Methods

Mark off a 5 meter distance on the floor from the base of the ramp.

1. Place the bottom of the ball on the top mark on the ramp.
2. Release the ball.
3. Start the timer when the ball reaches the floor.
4. Stop the timer when the ball crosses the mark at 5 meters.
5. Complete the data table with at least 5 trials and calculate the average.

Results

Release Position	Total Time (seconds)	Average Speed (m/s)
12		
12		
12		
12		
12		
Average		

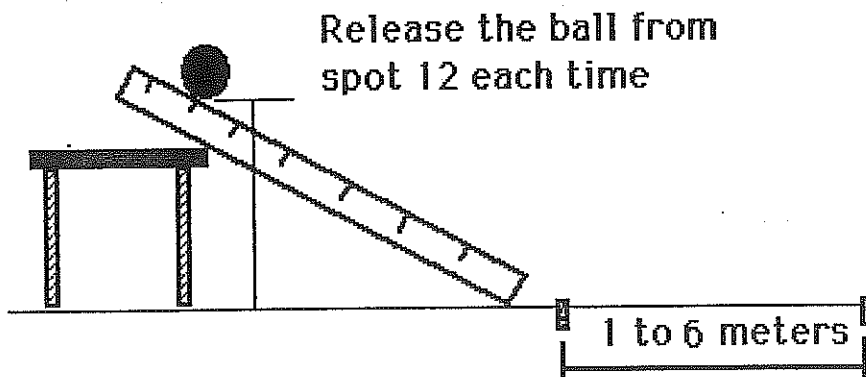
Golf Ball Lab Two: Introducing Speed Through Graphing

Question

How are distance, time and speed related?

Materials

- Golf ball
- Ramp
- Books or VERY low table
- Stop watch
- Tile floor



Methods

1. Release the ball from spot 12 on the ramp.
2. Start the timer when the ball hits the floor.
3. Stop the timer when the ball passes the distance marker.
4. Repeat the testing four more times for each distance then move on to the next distance.

Results

Distance and Time Measurements

Meters (m)	Time (s)	Time (s)	Time (s)	Time (s)	Time (s)	Average Time (s)	Average Speed (m/s)
1.00							
2.00							
3.00							
4.00							
5.00							
6.00							

Overall Average _____